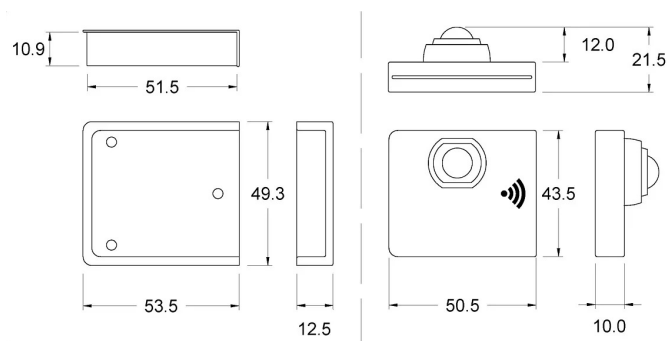


WIRELESS-PIR



DIMENSIONS



TECHNICAL DATA

Insulation class	III
IP grade	IP20
Switch	Sensore di movimento
Finish	Nero

Power supply: CR2450 battery. Recessed hole = 51.5mm x 47mm
R.2.5mm

PRODUCT CODES

CODE

9022050724

PRODUCT SPECIFICATIONS

PIR remote control for WIRELESS-RIC.

Up to 5 remote controls can be used simultaneously with a WIRELESS-RIC.

With motion sensor function.

Battery not included.