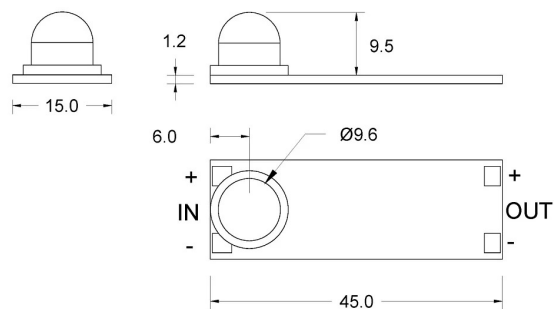


# PIR01



## DIMENSIONS



## TECHNICAL DATA

Power supply	12 - 24 V
Max Power	36 - 72 W
Insulation class	III
IP grade	IP20
Switch	Sensore di movimento

## PRODUCT CODES

CODE  
9123497500

## PRODUCT SPECIFICATIONS

When the door is opened or a person passes through, it switches to ON. The duration of the state is approx. 30 seconds. It then switches to OFF automatically.