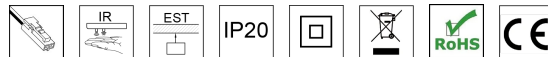
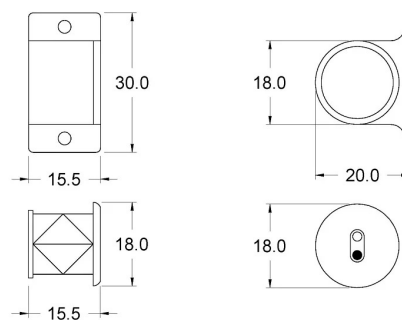


FIN11



DIMENSIONS



TECHNICAL DATA

Power supply	12 - 24 V
Max Power	36 - 72 W
Insulation class	III
IP grade	IP20
Switch	Finecorsa IR
Finish	nero
Output cable	1000 mm

PRODUCT CODES

CODE
90220250

PRODUCT SPECIFICATIONS

Sensor recessed hole $\varnothing 16\text{mm}$
Operating range 40-200mm