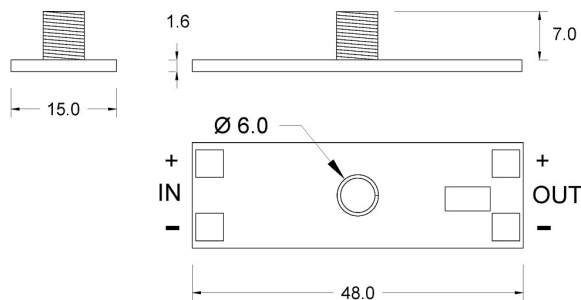


CAPDIM01



DIMENSIONS



TECHNICAL DATA

Power supply	12 - 24 V
Max Power	20 - 35 W
Insulation class	III
IP grade	IP20
Switch	Dimmer

PRODUCT CODES

CODE
91234980

PRODUCT SPECIFICATIONS

Positioned below the screen with blue presence light.
Press and hold the illuminated part of the screen to reach the maximum/minimum light intensity.
A short touch switches the lamp on/off.