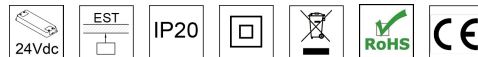
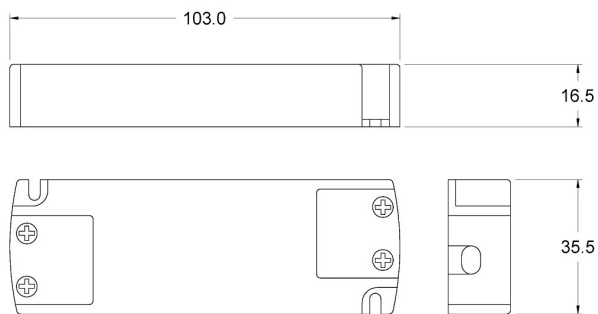


AL15-24



DIMENSIONS



PRODUCT CODES

CODE	TENSION	SECONDARY	MAX POWER	IP GRADE
9022077528	230 V	24 Vdc	15 W	IP20